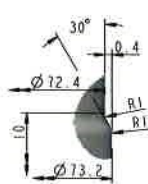
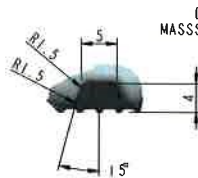


1 = TRADEMARK
 2 = CAVITY No.
 3 = STIPPLING
 THE SHAPE OF STIPPLES IS ONLY AN INDICATION AND THE CONSTRUCTION IS AT THE PRODUCTION PLANT DISCRETION
 4 = CAVITY CODE

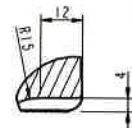
SCALE 1:1



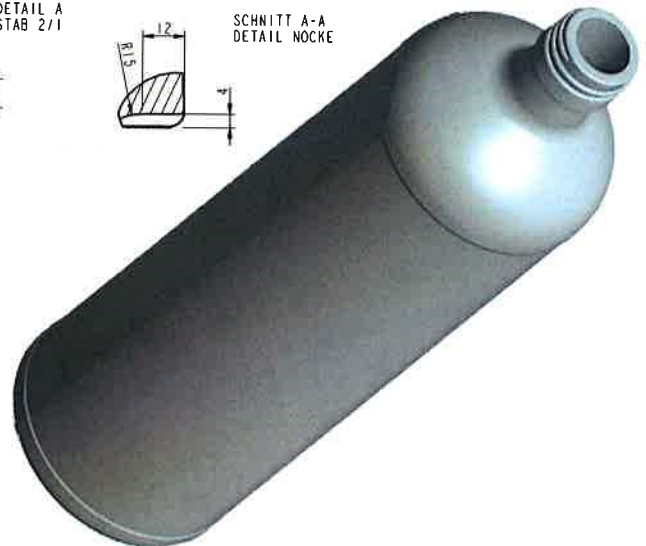
DETAIL B
 MASSSTAB 5/1



DETAIL A
 MASSSTAB 2/1

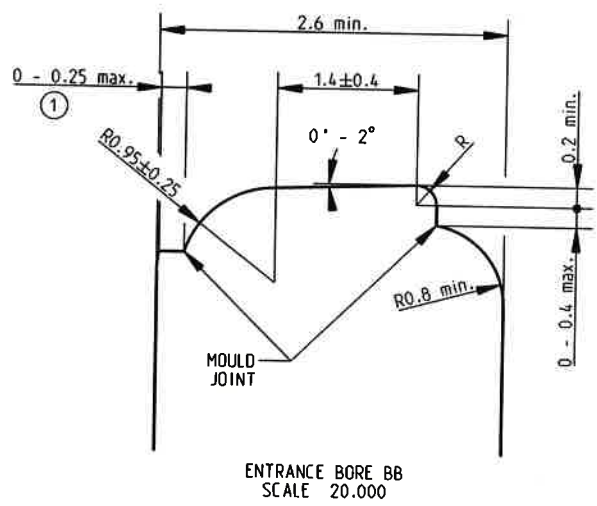
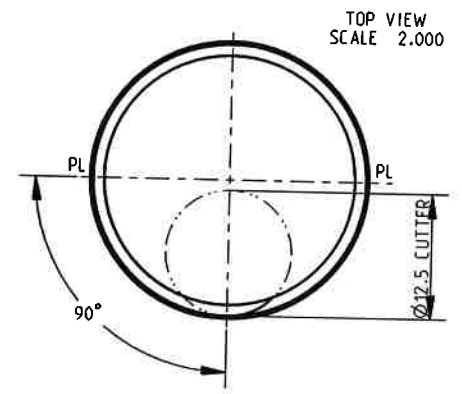
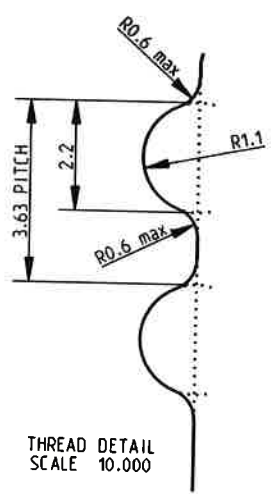
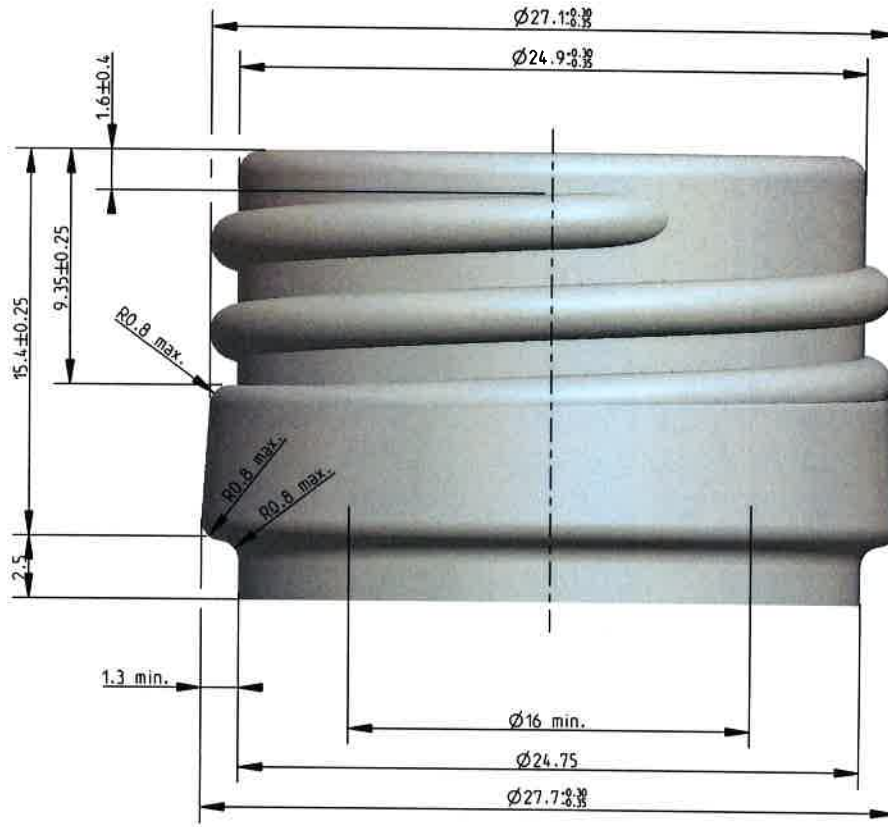


SCHNITT A-A
 DETAIL NOCKE



Artikel-Nr.: 12127009
 700 ml Krugflasche weiß, mit Nocke
 PP 28 Mündung

CATEGORY SPIRITS		TLT ANGLE 16.88°
MAX. VERTICALITY TOLERANCE ± 2.9 mm		MEASURING CONTAINER YES
FINISH GAP NUMBER 4243	FINISH REF. DIN 6094 / 7 - 28S 1995	
MINIMUM THROUGH BORE 16.0 mm	MAX FILLING TUBE Ø 15.5 mm	
CONTAINER OVERFLOW CAPACITY (BRIMFUL) 715ml ± 10ml		
CONTAINER RATED CAPACITY (FILLPOINT) 700ml APPROX.		
CONTAINER WEIGHT 440g APPROX.		
FINISH DESIGNATION OF. 28. DIN 6094 / 7. H151. 4243		MAX GAS VOLUME
PROCESS BB	RETURNABLE NO	DESIGN REF. 09105
0,7l KRUGFLASCHE MIT NOCKE		



① ECCENTRICITY OF GUIDE RING TO WALL DIAMETER

Artikel-Nr.: 12127009
700 ml Krugflasche weiß, mit Nocke
PP 28 Mündung